



2020



ADVANCED TOOLING SUPPLIES INC.

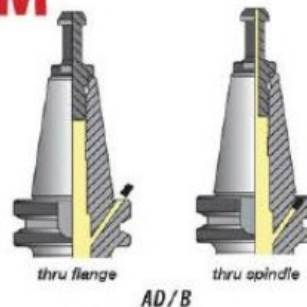
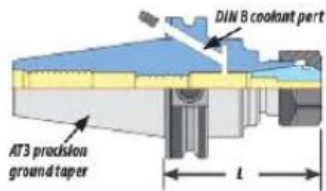
CAT 40
DUAL CONTACT
Collet Chuck Promo!



DUAL CONTACT COLLET CHUCKS

PRECISION TOOLS

Balanced to 25,000 RPM



PART NO.	TAPER	DESCRIPTION	COLLET SIZE	GAGE-L	AD/B	PRICE
BRT-07031627	CAT 40	Dual Contact	ER16	2.76"		\$139.00
BRT-07031640	CAT 40	Dual Contact	ER16	4.00"		149.00
BRT-07031660	CAT 40	Dual Contact	ER16	6.00"		169.00
BRT-07033229	CAT 40	Dual Contact	ER32	2.76"		139.00
BRT-07033240	CAT 40	Dual Contact	ER32	4.00"		149.00
BRT-07033260	CAT 40	Dual Contact	ER32	6.00"		169.00
BRT-07034031	CAT 40	Dual Contact	ER40	3.15"		149.00

Pricing valid while quantities last.

ADVANCED TOOLING SUPPLIES INC.

80 Bessemer Road, Unit #1 London, Ontario N6E 1R1 - Phone: 519-680-7100 / Fax: 519-680-7422

Toll Free Order Desk: 1-800-263-1796 - E-Mail: atsinfo@advancedtooling.com

Web Site: www.advancedtooling.com