



WINTER WARMUP 2024

COUNTERSINKS | 3 FLUTE

METRIC | COBALT M35 | TiN COATED



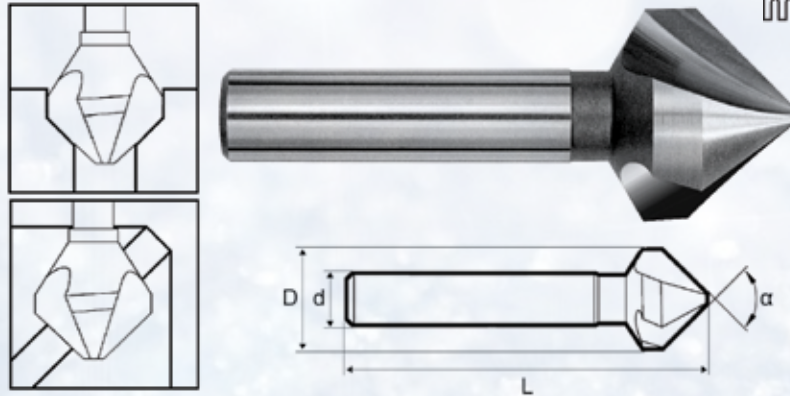
This highly productive countersinking cutter is a much improved version of the traditional multiflute milling cutter:

- wide flutes provide good chip evacuation
- positive cut
- constant profile aids regrinding of the tool
- self-centering of the cutting mill (three bearing points)
- virtually eliminates vibration

Dimensions are adapted so as to sink 90 degree screw caps up to M12. We recommend lubricating.

Carbide:

- Diameter 12.4 to 31 = 3 flatted shanks
- Diameter 4.3 to 8.3 = cylindrical shank
- Diameter 10.4 to 31 = brazed carbide head



D Overall Diameter (mm)	d Shank Diameter (mm)	Chamfer Range Min/Max (mm)	L Overall Length (Inch)	60° Angle Series 432		82° Angle Series 434		82° Angle Series 4834 - TiN		90° Angle Series 431		90° Angle Series 4831 - TiN		100° Angle Series 435		120° Angle Series 433	
				Code	Price	Code	Price	Code	Price	Code	Price	Code	Price	Code	Price	Code	Price
10.4	6	2.5-10.4	2	540301	39.69	540311	39.69	540361	38.11	540321	39.69	540371	38.11	540331	39.69	540341	39.69
16.5	10	3.2-16.5	2-1/4	540302	57.95	540312	57.95	540362	56.10	540322	57.95	540372	56.10	540332	57.95	540342	57.95
20.5	10	3.5-20.5	2-1/2	540303	65.04	540313	65.04	540363	66.01	540323	65.04	540373	66.01	540333	65.04	540343	64.04
25.0	10	3.8-25	2-5/8	540304	79.36	540314	79.36	540364	86.34	540324	79.36	540374	86.34	540334	79.36	540344	79.36
31.0	12	4.2-31	2-3/4	540305	118.01	540315	118.01	540365	112.49	540325	118.01	540375	112.49	540335	118.01	540345	118.01
40.0	16	8-40	4-1/2	-	-	-	-	-	-	*540326	315.27	-	-	-	-	-	-
50.0	16	10-50	5	-	-	-	-	-	-	*540327	286.71	-	-	-	-	-	-
63.0	16	10-63	5-1/2	-	-	-	-	-	-	*540328	665.74	-	-	-	-	-	-
80.0	16	14-80	6-1/2	-	-	-	-	-	-	*540329	1331.36	-	-	-	-	-	-

* Three gripping flats on shank

CONTACT YOUR LOCAL KAR DISTRIBUTOR FOR MORE DETAILS OR VISIT WWW.KAR.CA

YOUR AUTHORIZED KAR DISTRIBUTOR:

ADVANCED TOOLING SUPPLIES

80 Bessemer Road, Unit #1, London On. N6E 1R1

Toll Free: 1-800-263-1796 Phone: 519-680-7100

E-Mail: atsinfo@advancedtooling.com

Website: www.advancedtooling.com

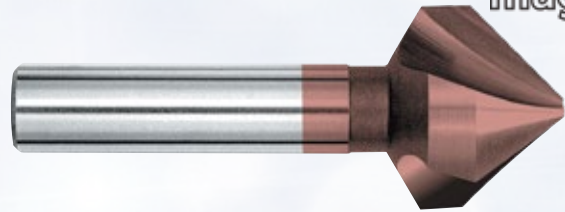
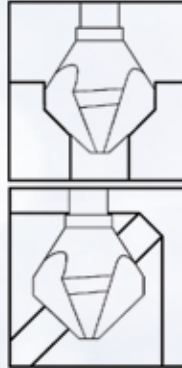
WINTER WARMUP

ANTI-VIBRATION COUNTERSINKS | 3 FLUTE

METRIC | COBALT M35 | 90° ANGLE | RED'X COATED



- Decreases the axial force compared to traditional countersinks, reducing tool vibrations which provides a better finish
- DIN 335-C
- The equal division 3 x 120° of the flutes offer good results in most materials
- HSSE-Cobalt (M35) with Red'X is 65 HRC, to machine steels up to 1000N/mm²
- Cast irons up to 200 HB, copper, brass, bronze, aluminum
- Red'X coating is 3500 HV and considerably increases the tool life by increasing wear resistance and improving surface finish



D Overall Diameter (mm)	d Shank Diameter (mm)	Chamfer Range Min/Max (mm)	L Overall Length (mm)	Series 493A	
				Code	Price
4.3	4	1.3-4.3	40	541160	31.23
5.3	4	1.5-5.3	40	541161	32.34
6.0	5	1.5-6.0	45	541162	33.42
6.3	5	1.5-6.3	45	541163	33.42
8.0	6	2.0-8.0	50	541164	34.47
8.3	6	2.0-8.3	50	541165	34.47
9.4	6	2.2-9.4	50	541166	35.76
10.0	6	2.5-10.0	50	541167	36.45
10.4	6	2.5-10.4	50	541168	36.45
11.5	8	2.8-11.5	56	541169	40.94

D Overall Diameter (mm)	d Shank Diameter (mm)	Chamfer Range Min/Max (mm)	L Overall Length (mm)	Series 493A	
				Code	Price
12.0	8	2.8-12.0	56	541170	44.23
12.4	8	2.8-12.4	56	541171	44.23
15.0	10	3.2-15.0	60	541172	51.77
16.5	10	3.2-16.5	60	541173	55.61
20.5	10	3.5-20.5	63	541174	63.60
25.0	10	3.8-25.0	67	541175	86.25
28.0	12	4.0-28.0	71	541176	113.20
30.0	12	4.2-30.0	71	541177	117.48
31.0	12	4.2-31.0	71	541178	119.70

TAP & DRILL SETS

FRACTIONAL/MACHINE SCREW & METRIC

- 16 piece sets (8 taps/8 drills) supplied in vinyl pouch
- Larger drill diameters which reduce tap breakage
- Supplied in vinyl storage case



Code 311526

126.36



Code 311527

212.88

Taps (Plug)	Tap Drill
6 - 32	7/64
8 - 32	#29
10 - 24	#23
10 - 32	#20
1/4 - 20	13/64
5/16 - 18	17/64
3/8 - 16	P
1/2 - 13	7/16

Taps (Plug)	Tap Drill (mm)
M3 x 0.50	2.50
M3.5 x 0.60	2.90
M4 x 0.70	3.30
M5 x 0.80	4.20
M6 x 1.00	5.00
M8 x 1.25	6.75
M10 x 1.50	8.50
M12 x 1.75	10.25

CUTTING FLUID



TAP
MAGIC

XTRA-THICK 16oz.	Code 219238	18. ³⁹
PROTAP 16oz.	Code 219217	17. ¹⁴
AQUEOUS 16oz.	Code 219225	15. ⁵⁰
ECO-OIL 16oz.	Code 219232	15. ⁰³
EP-XTRA 16oz.	Code 219202	14. ⁶⁹
ALUMINUM 16oz.	Code 219210	14. ⁶⁸

SAVE AT KAR

END MILLS | ALU-POWER



MICROGRAIN SOLID CARBIDE | 2 & 3 FLUTE | 42° & 45° HELIX

- For high velocity milling of aluminum and other non-ferrous materials
- Provides improved surface roughness
- Tightly controlled cylindrical margin

2 FLUTE | 42° HELIX | REGULAR LENGTH | "BANSHEE"

- Excellent plunging capabilities
- Excellent chip removal due to higher rake angle, higher helix angle (42°) and bigger chip pocket



Tolerance: 0/-0.0012

Cutter Diameter (Inch)	Shank Diameter (Inch)	Length of Cut (Inch)	Overall Length (Inch)	Code	Price
1/16	1/8	1/8	1-1/2	888310	36.65
3/32	1/8	1/4	1-1/2	888311	36.65
1/8	1/4	5/16	1-3/4	888312	42.47
3/16	1/4	7/16	2	888313	43.77
1/4	3/8	3/4	2-1/2	888314	60.31
5/16	3/8	13/16	2-1/2	888315	60.31
3/8	3/8	1	2-1/2	888316	61.45
7/16	7/16	1	2-3/4	888317	123.21

Cutter Diameter (Inch)	Shank Diameter (Inch)	Length of Cut (Inch)	Overall Length (Inch)	Code	Price
1/2	1/2	1	3	888318	112.75
1/2	1/2	2	4	888319	146.62
5/8	5/8	1-1/4	3-1/2	888320	229.38
3/4	3/4	1-1/2	4	888321	338.66
3/4	3/4	3	5-1/2	888322	440.15
1	1	1-1/2	4	888323	599.96
1	1	3	5-1/2	888324	779.86

3 FLUTE | 45° HELIX

- 3 flute and 45° helix allow harmonic balance at high speed conditions and smooth cutting
- Maximum material removal, chip evacuation, and stability



Tolerance: 0/-0.0005

REGULAR LENGTH



Cutter Diameter (Inch)	Shank Diameter (Inch)	Length of Cut (Inch)	Overall Length (Inch)	Code	Price
1/8	1/8	3/8	1-1/2	888409	39.88
3/16	3/16	9/16	2	888410	43.19
1/4	1/4	5/8	2-1/2	888411	48.58
5/16	5/16	5/8	2-1/2	888412	54.25
3/8	3/8	1	2-1/2	888413	63.13
7/16	7/16	1-1/4	2-3/4	888414	107.40
1/2	1/2	1-1/4	3	888415	117.51
5/8	5/8	1-5/8	3-1/2	888416	253.52
3/4	3/4	1-5/8	4	888417	313.92
1	1	2	5	888418	744.98

LONG LENGTH



Cutter Diameter (Inch)	Shank Diameter (Inch)	Length of Cut (Inch)	Overall Length (Inch)	Code	Price
1/4	1/4	1-1/4	3-1/4	888419	63.67
5/16	5/16	1-1/4	3-1/2	888420	73.73
3/8	3/8	1-1/2	3-1/2	888421	87.43
7/16	7/16	2	4	888422	134.19
1/2	1/2	2	4	888423	147.87
5/8	5/8	2-1/2	5	888424	338.23
3/4	3/4	3-1/4	6	888425	423.00
1	1	3-1/4	6	888426	811.85

WINTER WARMUP

BROACH SETS

STANDARD & HEAVY DUTY



- All Minute Man® Broach Sets are supplied in storage boxes, and come complete with precision broaches, slotted bushings, and necessary shims
- Collared bushings are recommended and are supplied unless plain bushings are specified on your order

TiN coated sets available on request

Set Description	Code	Price
No. 00 PRECISION SET: The most common keyway combinations for small keyways and bores. 3 broaches and 5 bushings = 15 keyway combinations (Collared bushings only)	605500	586^{.93}
No. 10 STANDARD SET: Our best selling broach set. 4 broaches and 9 bushings = 18 keyway combinations (Collared bushings only)	605501	1024^{.67}
No. 10A STANDARD SET: Same as No. 10 Set, but for sixteenth-sized bores. 4 broaches and 9 bushings = 18 keyway combinations (Collared bushings only)	605502	1024^{.67}
No. 10-10A COMBINATION SET: Combines 10 and 10A sets features all bore sizes in 1/16 inch increments for keyways 1/8 to 3/8 inches. 4 broaches and 18 bushings = 36 keyway combinations (Collared bushings only)	605503	1315^{.75}
No. 20 COMBINATION SET: Same as No. 10-10A combination set plus a 5/16" keyway for 11 extra combinations. 5 broaches and 18 bushings = 47 keyway combinations (Collared bushings only)	605504	1516^{.35}
No. 40A SET: The most common keyway combinations for medium sized keyways and bores. 4 broaches and 8 bushings = 32 keyway combinations (Plain bushings only)	605505	1919^{.92}
No. 40 SET: Same as No. 40A, but for sixteenth sized bores. 4 broaches and 8 bushings = 32 keyway combinations (Plain bushings only)	605506	1919^{.92}
No. 40-1/2A HEAVY DUTY SET: The most common keyway combinations for large keyways and bores. 2 broaches and 6 bushings = 12 keyway combinations (Plain bushings only)	605507	1978^{.66}
No. 40-1/2 HEAVY DUTY SET: Same as No. 40-1/2A but for sixteenth sized bores. 2 broaches and 6 bushings = 12 keyway combinations (Plain bushings only)	605508	1978^{.66}
No. 50 HEAVY DUTY SET: Includes the most common keyway combinations for medium and large keyways. 3 broaches and 17 bushings = 29 keyway combinations (Plain bushings only)	605509	3685^{.75}
No. 60 METRIC SET: The most common metric keyway combination for small keyways and bores. 2 broaches and 3 bushings = 6 keyway combinations (Collared bushings only)	605510	469^{.71}
No. 70 METRIC SET: Our most popular metric broach set. 4 broaches and 13 bushings = 26 keyway combinations (Collared bushings only)	605511	1205^{.86}
No. 80 METRIC SET: The most common metric keyway combination for medium-sized keyways and bores. 3 broaches and 12 bushings = 36 keyway combinations (Plain bushings only)	605512	1888^{.11}
No. 90 METRIC SET: The most common metric keyway combination for large keyways and bores. 2 broaches and 8 bushings = 16 keyway combinations (Plain bushings only)	605513	2541^{.10}
No. 100 HEAVY DUTY COMBINATION SET: The most complete set available including all popular combinations without duplication. Supplied in three wood boxes for convenient handling and storage, and comes with broaches, slotted bushings, and necessary shims. 9 broaches and 44 bushings = 102 keyway combinations (Collared bushings B & C; Plain bushings D & E)	605514	6632^{.88}

PRECISION MILLING MACHINE VISES

FCD-60 DUCTILE IRON



8 x 10 Inch | Code 277066

6 x 7.5 Inch | Code 277064

610^{.07}



6 x 8.9 Inch | Code 277065

662^{.75}



1364^{.53}



SAVE AT KAR



DEBURRING

MANGO II SET FR | RATCHET-BURR FOR ID

- Features FR ratchet holder, ideal for rotational chamfering, even when workspace is limited
- Inside diameter (ID) up to 0.79" (20mm)
- Deburrs steel, aluminum, copper, brass, cast iron, stainless steel and plastics



Code 550613

61.63

Handle	Holder	Blades
Mango	FR	F20

MANGO II SET BURR-EX | RACHET-BURR FOR OD

- Features FR ratchet holder, ideal for rotational chamfering, even when workspace is limited
- Outside diameter (OD) up to 1" (26mm)
- Deburrs steel, aluminum, copper, brass, cast iron, stainless steel and plastics



Code 550614

67.19

Handle	Holder	Blades
Mango II	FR	F26X

B12 MODIFIED BLADE | SPECIAL BLADE FOR PLASTICS

**SIMILAR TO B25 BLADE!
MORE AGGRESSIVE CUT!**
HSS | Short-nosed
Fits B handles/holders



WHILE
QUANTITIES
LAST

79.99/box of 100

Code 550830 (individual)

SHAVIV EXCLUSIVELY AVAILABLE AT KAR IN CANADA

KNURLING TOOLS

MODEL M10 | STRAIGHT | FORM KNURLING



719.65
/each

- Recommended for RAA type knurling
- Straight knurling up to face
- High speed steel bushing
- Able to fit on right hand or left hand
- Wear resistant tool surface
- Adjustment of tool clearance angle by threaded studs integrated in the shank
- Supplied with a high speed steel hardened washer to prevent tool wear

Model	Version	Capacity (mm)	Knurl Size (mm)	C (mm)	E (mm)	Weight (kg)	Spare Bushing/Washer Code	Code
M10 25.10.20	R+L	Ø8-200	25 x 10 x 11 (or 15)	20	30	0.7	180198	180305
M10 25.10.25	R+L	Ø8-200	25 x 10 x 11 (or 15)	25	35	0.8	180198	180307

FORM KNURLS | TYPE AA FOR MODEL M10 KNURLING TOOLS | HIGH SPEED STEEL



- Knurls according to DIN403 for knurlings as DIN82
- HRC 61±1 standard
- High speed steel
- Ground faces and central bore
- Knurls sold separately

93.37
/each

Pitch (mm)	Size (mm)	Code	Pitch (mm)	Size (mm)	Code
0.4	25 x 10 x 11	180310	1.2	25 x 10 x 11	180322
0.5		180312	1.4		180324
0.6		180314	1.5		180326
0.7		180316	1.6		180328
0.8		180318	1.8		180330
1.0		180320	2.0		180332

WINTER WARMUP

ELECTRONIC MEASURING MICROSCOPE

- Maximum working distance is 200" under WiFi mode
- May be connected to multiple iPads, Android devices or computers at the same time under WiFi mode
- Records photos and video
- Supplied with measuring software
- Magnification: 10X to 200X
- Pixels: 1.3M (resolution: 1280x1024)
- Built-in adjustable LED
- Power supply: built-in rechargeable battery

OPTIONAL ACCESSORIES:
Standard or Universal stand
Green, Yellow or Blue filters

Code 816685
463.80



- Includes one of each:**
- Microscope
 - Base support
 - Focus support ring 80X/150X
 - Focus support ring 60X/200X
 - Calibration rule (graduation 0.004"/0.1mm)
 - Calibration rule (graduation 0.039"/1mm)
 - USB cable and software
 - AC/DC adaptor



Magnification	Focus Distance (Inch)	View Field (Inch)	Accuracy (mil)
50x	0.83	0.32 x 0.25	1.2
100x	0.51	0.15 x 0.12	0.6
150x	0.63	0.10 x 0.08	0.4
200x	0.75	0.07 x 0.06	0.3

ELECTRONIC CALIPERS



COOLANT PROOF



- Resolution: 0.0005"/0.01mm
- Coolant proof, IP67 Ingress protection level
- Button functions: zero, on/off, inch/mm, ABS/REL, hold
- Battery CR2032
- Stainless steel
- Supplied in fitted storage case

0-6 Inch/0-150mm
Accuracy: ±0.0015"
Code 816018

197.36

0-8 Inch/0-200mm
Accuracy: ±0.0015"
Code 280014

340.25

0-12 Inch/0-300mm
Accuracy: ±0.0015"
Code 280015

394.47

ABSOLUTE



- Absolute system
- Resolution: 0.0005"/0.01mm
- Buttons: Inch/mm, ABS/REL, on/off, origin set
- Battery CR2032
- Auto power off
- Data output
- Stainless steel
- Supplied in fitted storage case

OPTIONAL ACCESSORY: SPC cable

0-6"/0-150mm
Code 285127

74.47

0-8"/0-200mm
Code 285128

104.63

0-12"/0-300mm
Code 285129

187.30

LEFT-HAND



- Accuracy: ±0.0012"
- Designed for left-handed users
- Resolution: 0.0005"/0.01mm
- Buttons: on/off, zero, Inch/mm
- Battery CR2032
- Auto power off, move unit to turn power on
- Data output
- Stainless steel
- Supplied in fitted storage case

OPTIONAL ACCESSORY: SPC cable

0-6"/0-150mm
Code 816615

219.80

0-8"/0-200mm
Code 816616

260.15

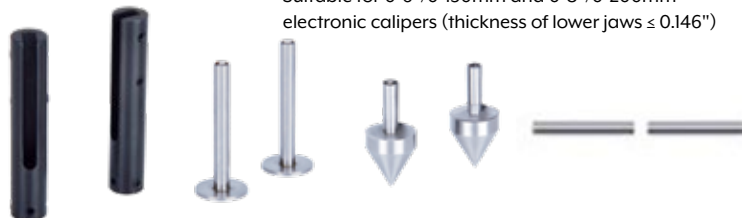
0-12"/0-300mm
Code 816617

375.83

ACCESSORY SET FOR ELECTRONIC CALIPERS



- Suitable for 0-6"/0-150mm and 0-8"/0-200mm electronic calipers (thickness of lower jaws ≤ 0.146")



Code 877188

89.18

INSIZE EXCLUSIVELY AVAILABLE AT KAR IN CANADA

SAVE AT KAR

PIN GAGE HANDLES

- Wrench is needed to install pins
- Clamping bushes (0.2-714mm) are made of brass, clamping bushes (714-24.80mm) are made of aluminum



Applicable pin gage diameter (mm)	Includes Handle and Clamping Bush (mm)	Code	Price
0.2-1.02	1 handle; 6 pairs (the clamping range are 0.2-0.38, 0.38-0.51, 0.51-0.64, 0.64-0.76, 0.76-0.89, 0.89-1.02)	877417	37.55
1.02-1.91	1 handle; 7 pairs (the clamping range are 1.02-1.14, 1.14-1.27, 1.27-1.40, 1.40-1.52, 1.52-1.65, 1.65-1.78, 1.78-1.91)	877434	40.24
1.91-3.33	1 handle; 8 pairs (the clamping range are 1.91-2.08, 2.08-2.26, 2.26-2.44, 2.44-2.62, 2.62-2.79, 2.79-2.97, 2.97-3.15, 3.15-3.33)	877435	44.00
3.33-4.57	1 handle; 7 pairs (the clamping range are 3.33-3.51, 3.51-3.68, 3.68-3.86, 3.86-4.04, 4.04-4.22, 4.22-4.39, 4.39-4.57)	877436	40.57
4.57-5.79	1 handle; 6 pairs (the clamping range are 4.57-4.78, 4.78-4.98, 4.98-5.18, 5.18-5.38, 5.38-5.59, 5.59-5.79)	877437	43.17
5.79-7.14	1 handle; 6 pairs (the clamping range are 5.79-5.99, 5.99-6.20, 6.20-6.40, 6.40-6.63, 6.63-6.88, 6.88-7.14)	877438	43.91
7.14-8.66	1 handle; 6 pairs (the clamping range are 7.14-7.39, 7.39-7.65, 7.65-7.90, 7.90-8.15, 8.15-8.41, 8.41-8.66)	877439	51.48
8.66-10.31	1 handle; 6 pairs (the clamping range are 8.66-8.92, 8.9-9.17, 9.17-9.42, 9.42-9.70, 9.70-10.01, 10.01-10.31)	877440	51.48
10.31-11.81	1 handle; 4 pairs (the clamping range are 10.31-10.67, 10.67-11.05, 11.05-11.43, 11.43-11.81)	877441	48.73
11.81-12.95	1 handle; 3 pairs (the clamping range are 11.81-12.19, 12.19-12.57, 12.57-12.95)	877442	42.53
12.95-14.71	1 handle; 4 pairs (the clamping range are 12.95-13.51, 13.51-13.89, 13.89-14.30, 14.30-14.71)	877418	61.45
14.71-16.13	1 handle; 4 pairs (the clamping range are 14.71-15.09, 15.09-15.49, 15.49-15.88, 15.88-16.13)	877419	61.45
16.13-17.88	1 handle; 4 pairs (the clamping range are 16.13-16.66, 16.66-17.07, 17.07-17.48, 17.48-17.88)	877420	71.32
17.88-19.3	1 handle; 4 pairs (the clamping range are 17.88-18.26, 18.26-18.67, 18.67-19.05, 19.05-19.30)	877421	71.32
19.3-24.8	1 handle; 8 pairs (the clamping range are 19.30-19.84, 19.84-20.62, 20.62-21.41, 21.41-22.23, 22.23-23.03, 23.03-23.80, 23.80-24.59, 24.59-24.80)	877422	133.53

INSIZE EXCLUSIVELY AVAILABLE AT KAR IN CANADA

ER COLLETS | STEEL SEALED | INCH & METRIC



- Collet accuracy: 0.0003" to 0.0004" T.I.R. (0.008 mm to 0.010 mm)
- For optimal collet performance use tools with shank diameter equal to the collet nominal size
- Coolant allowable pressure: 1,500 PSI
- Made from high quality spring steel

BLOWOUT PRICING! 50% OFF!
WHILE QUANTITIES LAST!

Description	Code	Price
ER16 3.5mm	300841	
ER16 7/32"	312214	
ER16 9/32"	312216	
ER16 11/32"	312218	
ER16 13/32"	312220	
ER16 4.5mm	312223	21.99
ER16 5.5mm	312225	each
ER16 6.5mm	312227	
ER16 7.5mm	312229	
ER16 8.5mm	312231	
ER16 9.5mm	312233	
ER20 5/32"	312236	
ER20 7/32"	312238	
ER20 9/32"	312240	22.99
ER20 11/32"	312242	each
ER20 15/32"	312246	
ER20 5.0mm	312250	

Description	Code	Price
ER25 5/32"	312260	
ER25 3/16"	312261	
ER25 7/32"	312262	
ER25 9/32"	312264	
ER25 11/32"	312266	
ER25 13/32"	312268	
ER25 15/32"	312270	
ER25 17/32"	312272	
ER25 19/32"	312274	
ER25 3.0mm	312276	24.99
ER25 4.0mm	312277	each
ER25 5.0mm	312278	
ER32 5/32"	312291	
ER32 3/16"	312292	
ER32 11/32"	312297	
ER32 15/32"	312301	
ER32 17/32"	312303	
ER32 19/32"	312305	
ER32 23/32"	312309	
ER32 5.0mm	312315	

Description	Code	Price
ER40 5/32"	312332	
ER40 3/16"	312333	
ER40 9/32"	312336	
ER40 5/16"	312337	
ER40 11/32"	312338	
ER40 13/32"	312340	
ER40 17/32"	312344	
ER40 19/32"	312346	27.99
ER40 21/32"	312348	each
ER40 23/32"	312350	
ER40 25/32"	312352	
ER40 27/32"	312354	
ER40 29/32"	312356	
ER40 31/32"	312358	
ER40 4.0mm	312360	
ER40 5.0mm	312361	

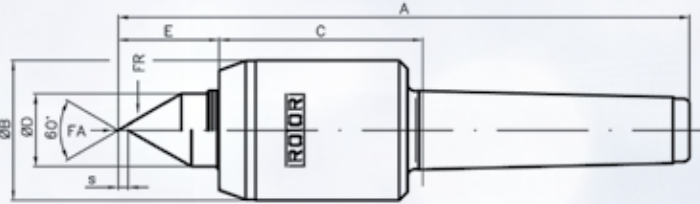
CONTACT YOUR LOCAL KAR DISTRIBUTOR FOR MORE DETAILS

WINTER WARMUP

LIVE CENTERS

HIGH SPEED STEEL – MAIN LINE | TYPE DA-N – STANDARD 60° WITH PRESSURE INDICATOR

APPLICATION: A pressure indicator with different colour bands permits rapid setting and monitoring of the optimum pressure. Length tolerances and different centre bores are compensated through a travel stroke at fixed positions. Correspondingly light work pieces can be clamped very finely.



TYPE DA WITH PRESSURE INDICATOR AND LONG TRAVEL STROKE

Code 100090

1195.98

Code 100091

1195.98

Code 100092

1339.01

Code 100093

1750.67

ACCIDENT PREVENTION
WITH PRESSURE INDICATOR

Morse Taper	Model	FA daN	FR daN	A (mm)	ØB (mm)	C (mm)	ØD (mm)	E (mm)	S (mm)	Workpiece Maximum (kgs)	Max RPM	Code
MT2	2 STD.	11-110	24-240	136	34	53	14	19	2.7	190	7000	100090
MT3	3 STD.	20-200	40-420	174	42	62	22	31	3.0	440	5800	100091
MT4	4 STD.	23-230	50-500	209	53	72	28	34	4.3	900	4800	100092
MT5	5 STD.	80-800	150-1500	259	64	87	38	42	5.2	1850	4000	100093

CYLINDRICAL OPTION ALSO AVAILABLE. ASK YOUR LOCAL KAR DISTRIBUTOR FOR MORE DETAILS

SQUARE KEY STOCK



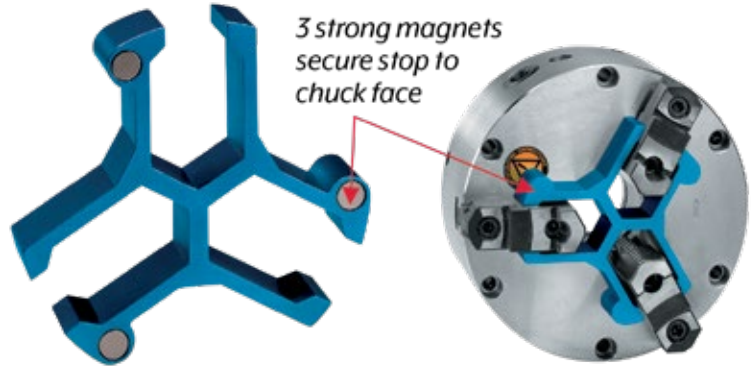
- Cold drawn oversize zinc plated - steel

Tolerances for both dimensions:
 up to 3/4" inc. 0.000" to +0.002"
 over 3/4" to 1-1/2" inc. 0.000" to +0.003"
 over 1-1/2" to 2-1/2" inc. 0.000" to +0.004"

Size (Inch)	Code	Price	Size (Inch)	Code	Price
3/32	455510	3.37	5/8	455522	13.24
1/8	455511	2.12	11/16	455523	15.29
5/32	455512	2.97	3/4	455524	17.27
3/16	455513	2.48	13/16	455525	17.80
7/32	455514	3.75	7/8	455526	20.48
1/4	455515	2.76	1	455527	28.07
9/32	455516	4.81	1-1/8	455528	51.11
5/16	455517	4.14	1-3/16	455529	57.73
3/8	455518	5.07	1-1/4	455530	66.06
7/16	455519	6.54	1-3/8	455531	74.21
1/2	455520	7.41	1-1/2	455532	88.66
9/16	455521	15.69	1-3/4	455533	122.17
			2	455534	174.49

CHUCK STOP SETS

STANDARD & DELUXE



3 strong magnets
secure stop to
chuck face

3-Piece Standard Set
15, 20 and 25mm stops
Code 355985

537.90

5-Piece Deluxe Set
15, 20, 25, 30 and 35mm stops
Code 355986

935.92



KAR Industrial Inc.
www.kar.ca

Toronto.....1-800-387-3127
 Montréal.....1-800-363-7862
 Edmonton.....1-866-440-4326

Offer valid until March 31st, 2024

*Products shown may not be exactly as illustrated Code 000333

MAKING IT EASY TO DO BUSINESS WITH SINCE 1954... CONTACT YOUR LOCAL KAR DISTRIBUTOR TODAY!